



**FirstPower**<sup>®</sup>  
ENERGY IS FOREVER

EASY AND COMFORT LIFE WITH  
**TECHNOLOGY  
EXCELLENCE**

Quality product of TRI MEGA BATERINDO  
RELIABLE & DURABLE



**COMMITTED FOR A BETTER FUTURE**

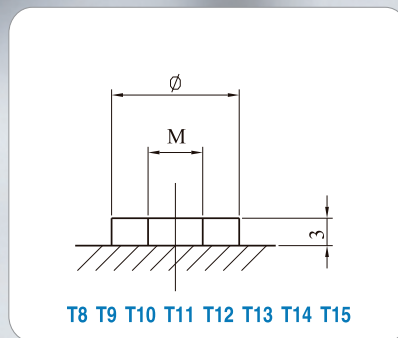
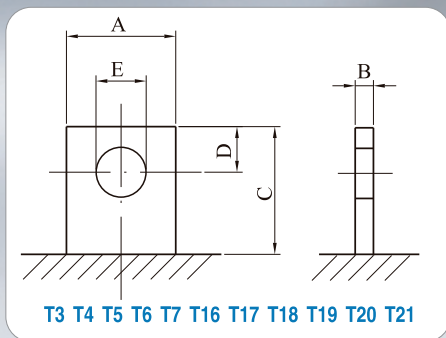
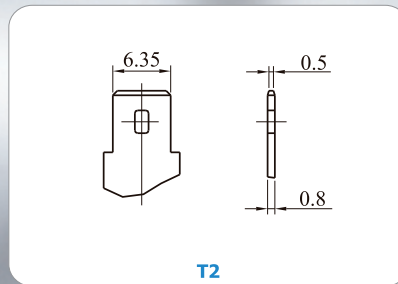
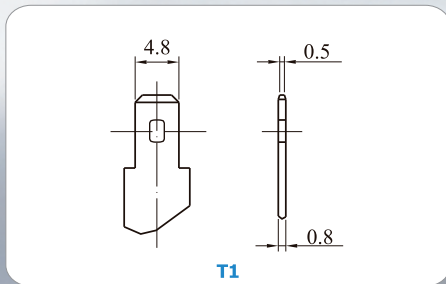
## STANDARD BATTERY SERIES SPECIFICATIONS

Model	Nominal Voltage (V)	Capacity (Ah)	Internal Resistance (mΩ)	Dimensions								Terminal	
				Length		Width		Height		Total Height		Type	Position
				mm	in	mm	in	mm	in	mm	in		
NFP1270	12	7	28	151	5.94	65	2.65	94	3.7	100	3.94	T1/T2/T21	F
NFP1272	12	7.2	28										
NFP1290	12	9	19			98	3.86	95	3.74	101	3.98		
NFP12120	12	12	19										
NFP12170	12	17	17	181	7.13	77	3.03	167	6.57	167/167	6.57/6.57	T3/T8	D
NFP12180	12	18	16										
NFP12260	12	26.0	12	166	6.54	175	6.89	125	4.92	125	4.92	T3/T8	D
NLFP1240	12	40	8.5	197	7.8	165	6.5	170	6.7	170/170	6.7/6.7	T4/T9	D
NLFP1265	12	65	6	350	13.78	167	6.57	179	7.05	186	7.32	T5/T9	C
NLFP1280	12	80	4										
NLFP12100	12	100	4.5										
NLFP12100	12	100	4.5										
NLFP12120	12	120	4	409	16.1	176	6.93	225	8.86	225	8.86	T5/T11	C
NLFP12150	12	150	3.5	485	19.1	172	6.8	240	9.4	242/240	9.5/9.5	T5/T11	C
NLFP12200	12	200	3	522	20.6	238	9.4	218	8.6	238/221	9.4/8.7	T5/T11	E
NLFP12250	12	250	2.6	521	20.5	269	10.6	220	8.7	242/223	9.5/8.8	T5/T11	E

## GEL BATTERY SERIES SPECIFICATIONS

Model	Nominal Voltage (V)	Capacity (Ah)	Internal Resistance (mΩ)	Dimensions								Terminal	
				Length		Width		Height		Total Height		Type	Position
				mm	in	mm	in	mm	in	mm	in		
NLFP12100G	12	100	4.5	330	13	171	6.7	214	8.4	224/220	8.8	T5/T9	C
NLFP12120G	12	120	4	409	16.1	176	6.93	225	8.86	225	8.86	T5/T11	C
NLFP12150G	12	150	3.5	485	19.1	172	6.8	240	9.4	242/240	9.5/9.5	T5/T11	C
NLFP12200G	12	200	3	522	20.6	238	9.4	218	8.6	238/221	9.4/8.7	T5/T11	E
NLFP12250G	12	250	2.6	521	20.5	269	10.6	220	8.7	242/223	9.5/8.8	T5/T11	E

## TERMINAL TYPE



Type	A	B	C	D	E	Material
T3	12	2.0	14	5.0	5.5	Cu
T4	20	3.0	16	7.0	6.0	Cu
T5	22	3.5	22	8.5	8.0	Cu
T6	17	9.0	18	8.0	6.0	Pb
T7	17	6.0	16	7.0	8.0	Pb
T16	20	3.0	18	7.5	8.0	Cu
T17	18	7.0	20	7.5	7.0	Pb
T18	23	7.0	19	8.5	7.0	Pb
T19	25	7.0	24	10.5	9.0	Pb
T20	27	8.0	29	12.0	9.0	Pb
T21	10	1.5	12	4.0	5.5	Cu

Type	M	Ø	Material
T8	5	12	Cu
T9	6	14	Cu
T10	8	20	Cu
T11	8	16	Cu
T12	8	14	Cu
T13	10	20	Cu
T14	8	18	Cu
T15	6	16	Cu

## TERMINAL POSITION :

